

Name – Surname:

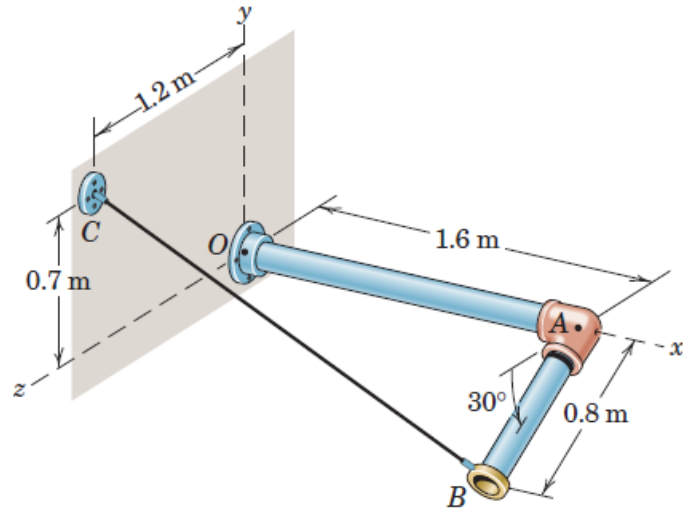
No.:

Istanbul Technical University – Faculty of Aeronautics and Astronautics
2019-2020 Fall Term
15549 STA201E Statics

01.11.2019

Quiz – 5 - SOLUTION

Problem: The cable BC carries a tension of 750 N. Calculate the moment of the force that the cable applies to the elbow about the point O .



Solution:

$$\vec{\lambda}_{BC} = \frac{\vec{BC}}{|\vec{BC}|} = \frac{-1.6\vec{i} + (0.7 + 0.8 \sin 30)\vec{j} + (1.2 - 0.8 \cos 30)\vec{k}}{2.007} = -0.797\vec{i} + 0.548\vec{j} + 0.253\vec{k}$$

$$\vec{T}_{BC} = T_{BC}\vec{\lambda}_{BC} = (750)(-0.797\vec{i} + 0.548\vec{j} + 0.253\vec{k}) = -598\vec{i} + 411\vec{j} + 189.8\vec{k} \text{ N}$$

$$\vec{r}_{OB} = \vec{r}_B = 1.6\vec{i} - 0.8 \sin 30\vec{j} + 0.8 \cos 30\vec{k} = 1.6\vec{i} - 0.4\vec{j} + 0.693\vec{k} \text{ m}$$

$$\vec{M}_O = \vec{r} \times \vec{F} = (750) \begin{vmatrix} \vec{i} & \vec{j} & \vec{k} \\ 1.6 & -0.4 & 0.693 \\ -0.797 & 0.548 & 0.253 \end{vmatrix} = -360.7\vec{i} - 717.8\vec{j} + 418.5\vec{k} \text{ Nm}$$