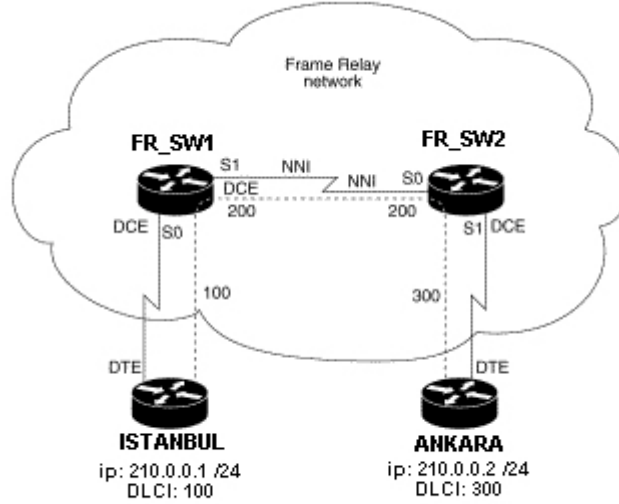


FRAME-RELAY UYGULAMASI -2

Gökhan AKIN – İTÜ 2002
<http://www2.itu.edu.tr/~akingok>



Amaç :

Frame- Relay switchler arasındaki iletişimin uygulamada incelenmesi.

Router'ların Seri portlarında yapılması gereken konfigürasyonları:

Router: İSTANBUL

```
!  
interface Serial0/0  
ip address 210.0.0.1 255.255.255.0  
encapsulation frame-relay  
frame-relay interface-dlci 100  
!
```

Router: FR_SW1

NOT: Cisco routerların Frame-Relay switch gibi davranması için ilk önce global configuration modda "**frame-relay switching**" komudun girilmesi gerekmektedir.

```
!  
interface Serial0  
bandwidth 4000  
no ip address  
no ip directed-broadcast  
encapsulation frame-relay  
clockrate 4000000  
frame-relay intf-type dce  
frame-relay route 100 interface Serial1 200  
!
```

```
interface Serial1
bandwidth 4000
no ip address
no ip directed-broadcast
encapsulation frame-relay
clockrate 4000000
frame-relay intf-type nni
' İki frame-relay switch'in konuşması durumunda "frame-relay intf-type nni" komudu ile
' interface NNI(Network-to-Network Interface ) olarak tanımlanır.
```

```
frame-relay route 200 interface Serial0 100
!
```

Router: FR_SW2

NOT: Cisco routerların Frame-Relay switch gibi davranması için ilk önce global configuration modddda "**frame-relay switching**" komudun girilmesi gerekmektedir.

```
!
interface Serial0
no ip address
no ip directed-broadcast
encapsulation frame-relay
no ip route-cache
frame-relay intf-type nni
frame-relay route 200 interface Serial1 300
!
interface Serial1
bandwidth 4000
no ip address
no ip directed-broadcast
encapsulation frame-relay
clockrate 4000000
frame-relay intf-type dce
frame-relay route 300 interface Serial0 200
!
```

Router: ANKARA

```
!
interface Serial0
ip address 210.0.0.2 255.255.255.0
encapsulation frame-relay
frame-relay interface-dlci 300
!
```