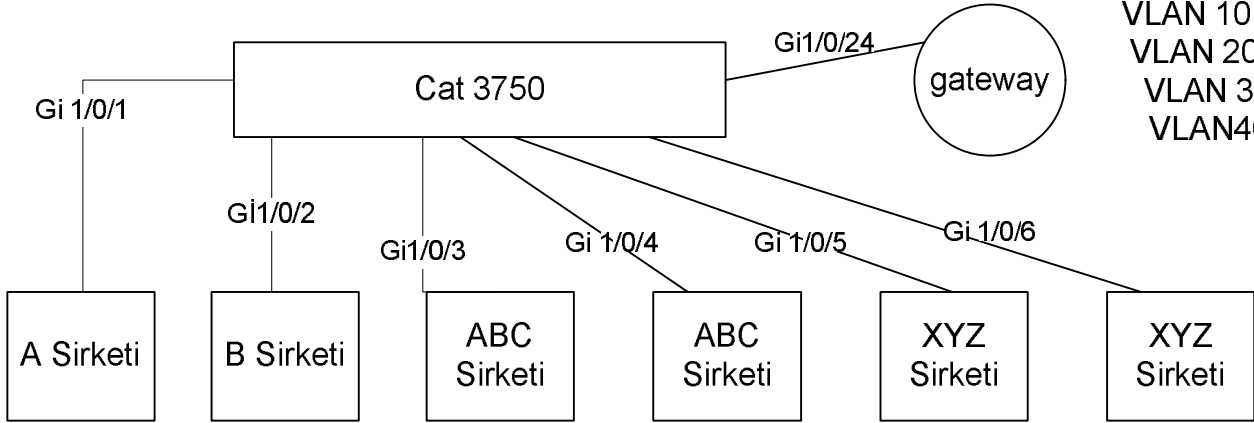


## CISCO SWITCHLERDE PRIVATE VLAN KONFIGURASYONU



VLAN 10 :PROMS  
VLAN 20 : IZOLE  
VLAN 30 : ABC  
VLAN40 : XYZ

Amac: A, B, ABC ve XYZ sirketlerinin sunucu sadece gatewaye ulasabilsin. ABC ve XYZ sirketlerinin sunuculari kendileri aralarinda konusabilsin.

### TEMEL VLAN CONF :

### INTERFACE CONF :

```
vtp mode transparent
```

```
vlan 10
name PROMS
private-vlan primary
private-vlan association 20,30,40
```

```
!
vlan 20
name IZOLE
private-vlan isolated
```

```
!
vlan 30
name ABC
private-vlan community
```

```
!
vlan 40
name XYZ
private-vlan community
```

```
Switch#sh vlan private-vlan
```

Primary	Secondary	Type	Ports
10	20	isolated	Gi1/0/1, Gi1/0/2, Gi1/0/24
10	30	community	Gi1/0/3, Gi1/0/4, Gi1/0/24
10	40	community	Gi1/0/5, Gi1/0/6, Gi1/0/24

```
Switch#sh interfaces status
```

Port	Name	Status	Vlan	Duplex	Speed	Type
Gi1/0/1		connected	10,20	a-full	a-1000	10/100/1000BaseTX
Gi1/0/2		connected	10,20	a-full	a-1000	10/100/1000BaseTX
Gi1/0/3		connected	10,30	a-full	a-1000	10/100/1000BaseTX
Gi1/0/4		connected	10,30	a-full	a-100	10/100/1000BaseTX
Gi1/0/5		connected	10,40	a-full	a-100	10/100/1000BaseTX
Gi1/0/6		connected	10,40	a-full	a-100	10/100/1000BaseTX
.....						
Gi1/0/24		connected	10	a-full	a-100	10/100/1000BaseTX

### ISOLATED PORTLARI :

#### A Sirketi:

```
interface GigabitEthernet1/0/1
switchport private-vlan host-association 10 20
switchport mode private-vlan host
```

#### B Sirketi:

```
interface GigabitEthernet1/0/2
switchport private-vlan host-association 10 20
switchport mode private-vlan host
```

### COMMUNITY PORTLARI:

#### ABC Sirketi:

```
interface GigabitEthernet1/0/3
switchport private-vlan host-association 10 30
switchport mode private-vlan host
```

```
!
interface GigabitEthernet1/0/4
switchport private-vlan host-association 10 30
switchport mode private-vlan host
```

#### XYZ Sirketi:

```
interface GigabitEthernet1/0/5
switchport private-vlan host-association 10 40
switchport mode private-vlan host
```

```
!
interface GigabitEthernet1/0/6
switchport private-vlan host-association 10 40
switchport mode private-vlan host
```

### PROMISCUOUS PORT:

```
interface GigabitEthernet1/0/24
switchport private-vlan mapping 10 20,30,40
switchport mode private-vlan promiscuous
```