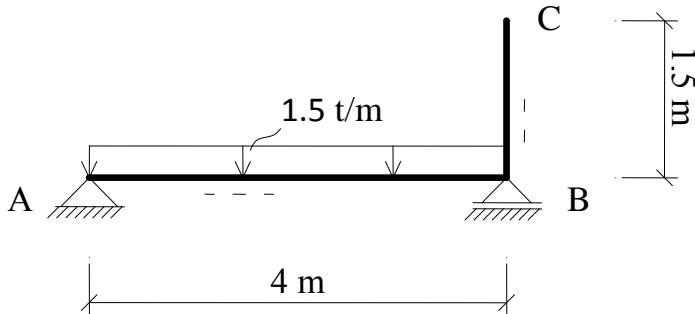


MIM 271E
Homework 4
Due Date: Final Exam

1)

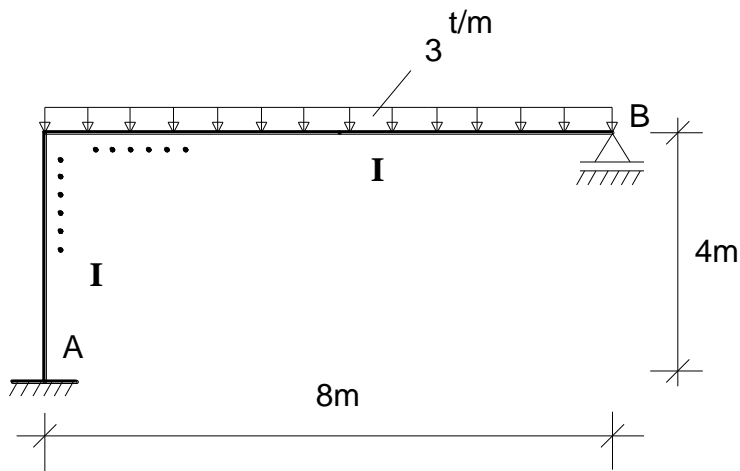


For the beam shown in the figure;

- a) Determine rotation about A (ϕ_A),
- b) Determine horizontal displacement at C (δ_{Cx}).

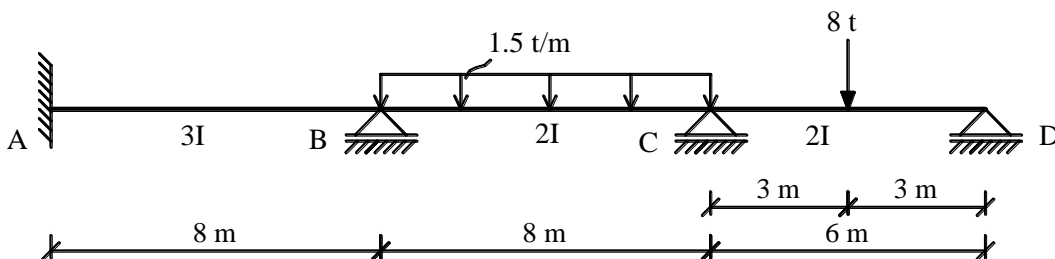
$$EI = 8,93 \times 10^6 \text{ t.cm}^2$$

2)



Draw the internal force diagrams (N, T, M) of the indeterminate frame shown in the figure by using Force Method.

3)



Determine the internal moments at each support of the beam shown in the figure by using CROSS (Moment Distribution) Method.